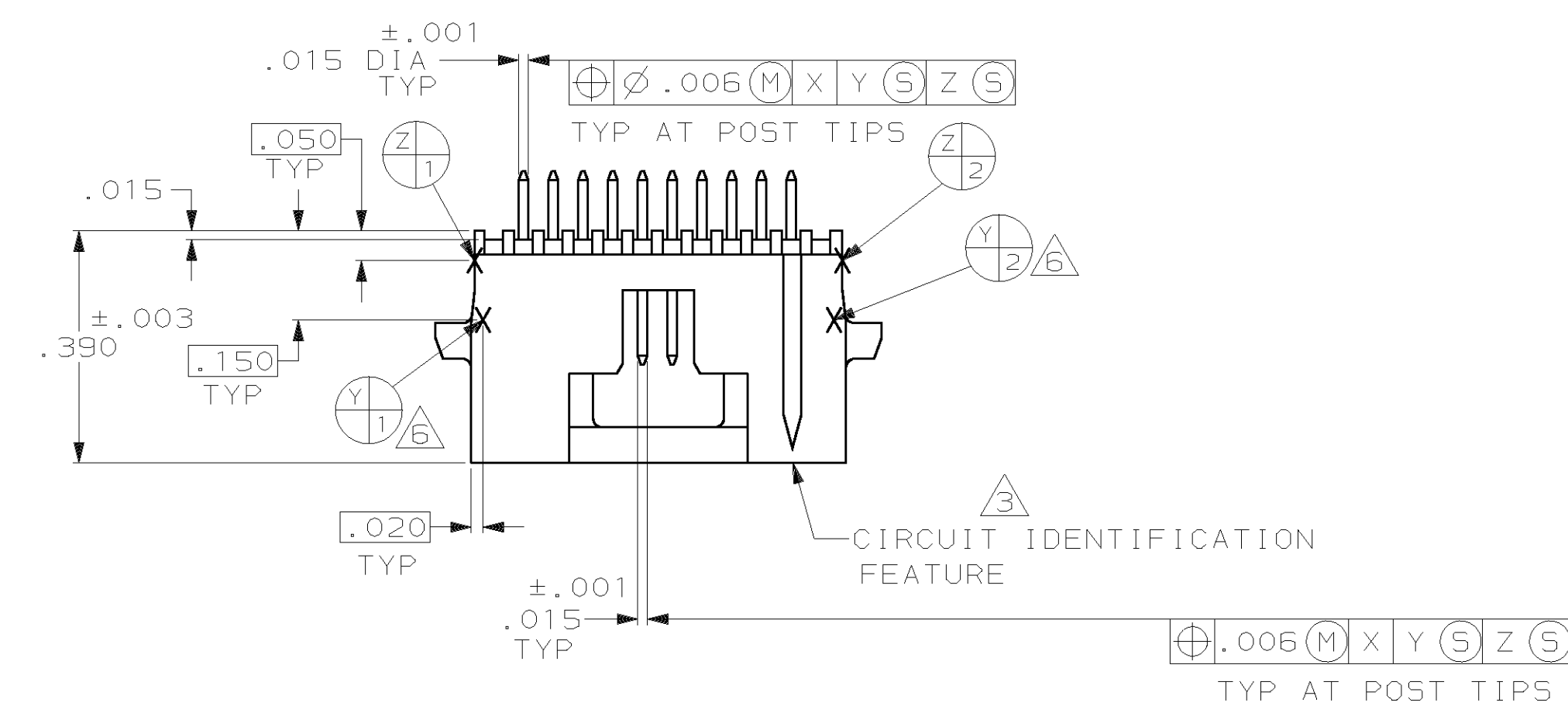
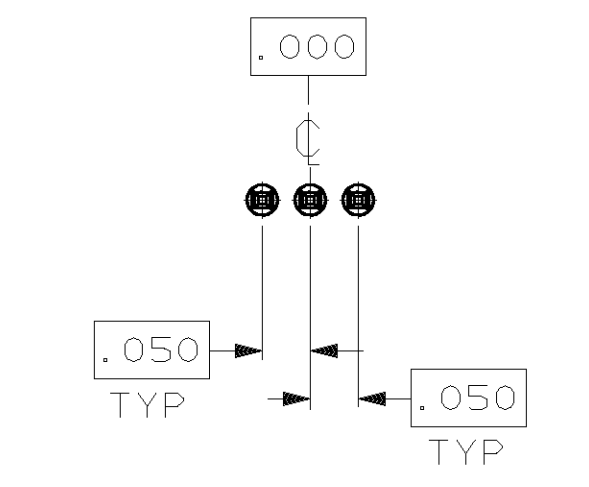
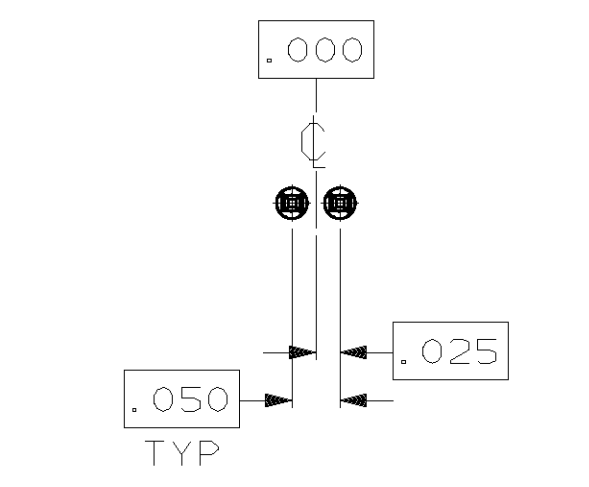
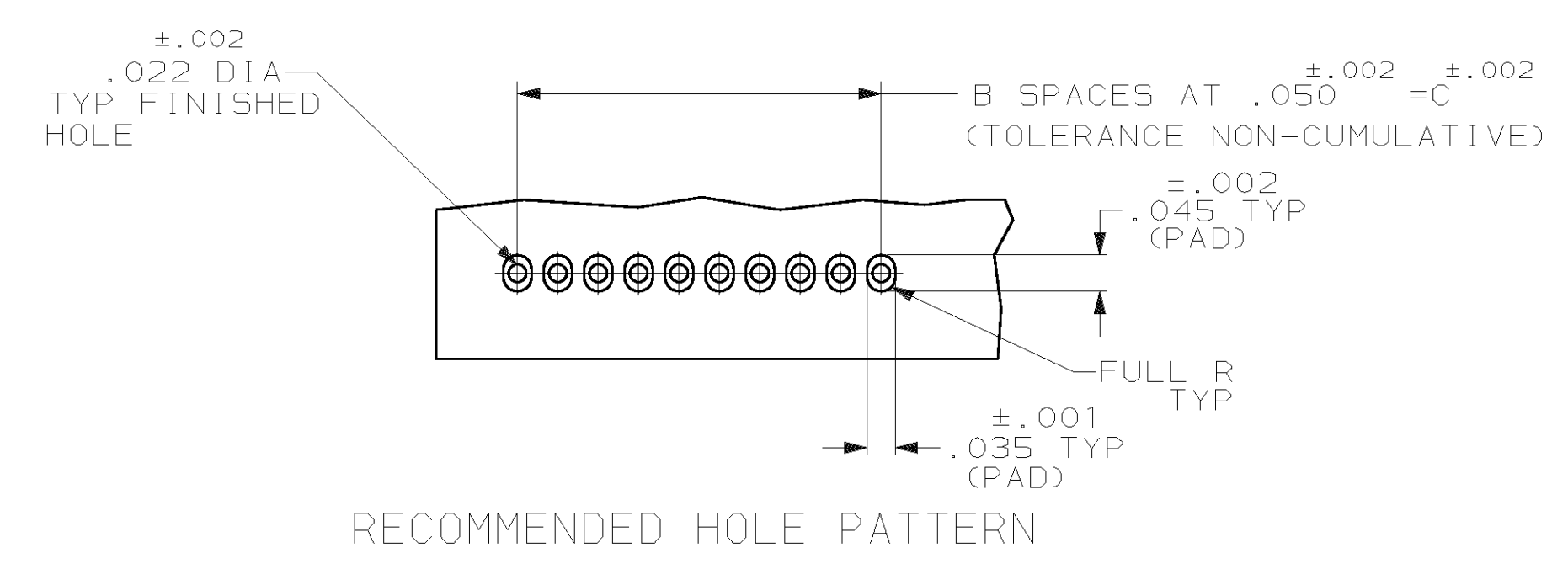
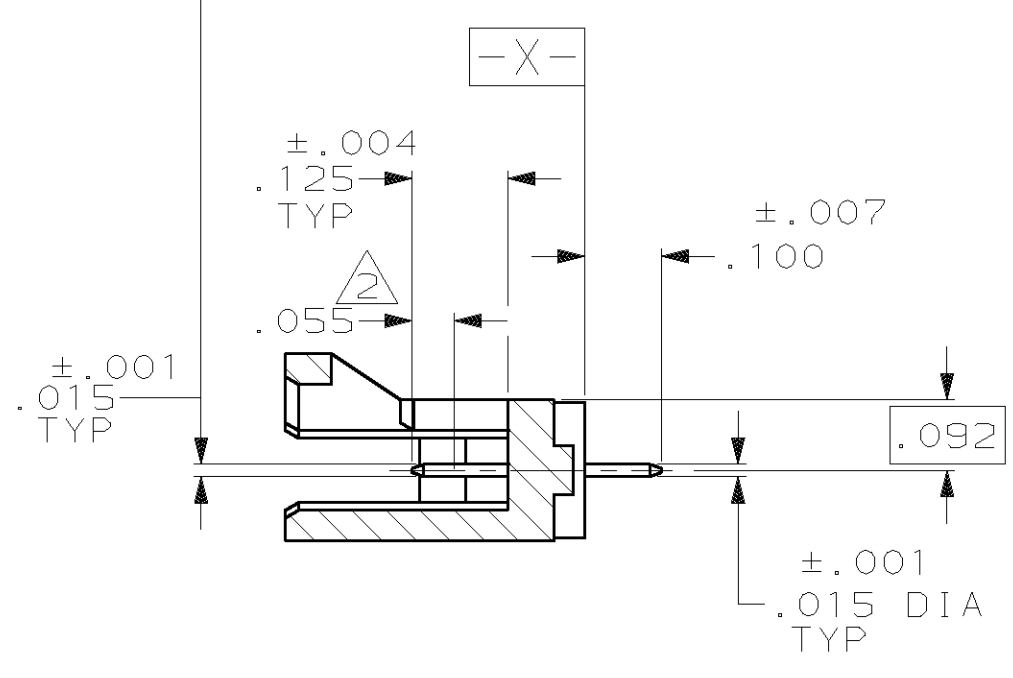
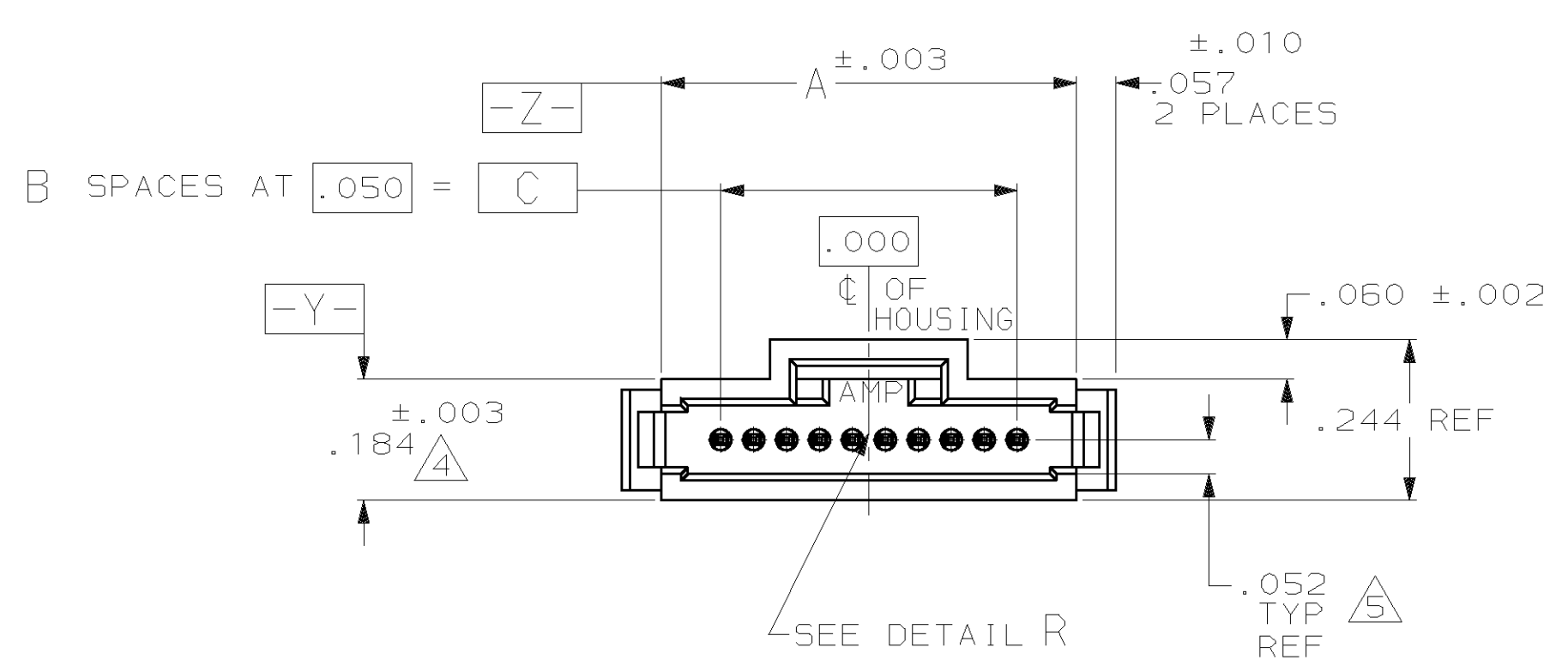


LOC	DIST	P	F	ZONE	LTR	DESCRIPTION	DATE	APPD
AD	39			N		REV PER 063C-0506-04	11NOV04	JR/DS



- 1 CONTACT AREAS PLATED WITH .000030 GOLD, SOLDER TAILS PLATED WITH .000150 TIN-LEAD, ALL OVER .000050 NICKEL
- 2 POINT OF MEASUREMENT FOR GOLD THICKNESS
- 3 CIRCUIT IDENTIFICATION FEATURE OMITTED ON 4,5,6 AND 7 POSITION HEADER ASSEMBLIES
- 4 DIMENSION APPLIES AT BASE OF SHROUD
- 5 THE NOTED DIMENSIONS APPLY AT THE INTERSECTION OF THE POST & HOUSING
- 6 (Y/3) (Y/4) ARE LOCATED THE SAME AS (Y/1) (Y/2) EXCEPT ON OPPOSITE SIDE OF HOUSING.
- 7 CONTACT AREAS PLATED WITH .000030 GOLD, SOLDER TAILS PLATED WITH .000150 TIN, ALL OVER .000050 NICKEL



BASIC DIMENSIONS FOR ODD NO OF SPACES (SEE TABLE)

BASIC DIMENSIONS FOR EVEN NO OF SPACES (SEE TABLE)

	C	B	A	NO OF POSN	PART NUMBER
1.250	25	1.430	26	7-104071-0	
2.450	49	2.630	50	6-104071-9	
2.200	44	2.380	45	6-104071-8	
1.950	39	2.130	40	6-104071-7	
1.750	35	1.930	36	6-104071-6	
1.300	26	1.480	27	6-104071-5	
1.050	21	1.230	22	6-104071-4	
.800	16	.980	17	6-104071-3	
.600	12	.780	13	6-104071-2	
.550	11	.730	12	6-104071-1	
.350	7	.530	8	6-104071-0	
.300	6	.480	7	5-104071-9	
.250	5	.430	6	5-104071-8	
.150	3	.330	4	5-104071-7	
1.450	29	1.630	30	5-104071-6	
1.200	24	1.380	25	5-104071-5	
.950	19	1.130	20	5-104071-4	
.700	14	.880	15	5-104071-3	
.200	4	.380	5	5-104071-2	
.450	9	.630	10	5-104071-1	
1.250	25	1.430	26	2-104071-0	
2.450	49	2.630	50	1-104071-9	
2.200	44	2.380	45	1-104071-8	
1.950	39	2.130	40	1-104071-7	
1.750	35	1.930	36	1-104071-6	
1.300	26	1.480	27	1-104071-5	
1.050	21	1.230	22	1-104071-4	
.800	16	.980	17	1-104071-3	
.600	12	.780	13	1-104071-2	
.550	11	.730	12	1-104071-1	
.350	7	.530	8	1-104071-0	
.300	6	.480	7	104071-9	
.250	5	.430	6	104071-8	
.150	3	.330	4	104071-7	
1.450	29	1.630	30	104071-6	
1.200	24	1.380	25	104071-5	
.950	19	1.130	20	104071-4	
.700	14	.880	15	104071-3	
.200	4	.380	5	104071-2	
.450	9	.630	10	104071-1	

OBSOLETE
 OBSOLETE
 OBSOLETE
 OBSOLETE

DO NOT SCALE PRINT. UNLESS SPECIFIED DIMENSIONS IN INCHES TOLERANCES ON: 2 PLC DEC ± .005 3 PLC DEC ± .005 ANGLES ± -		DR 12-19-88 K. HELM CHK 12-19-88 H. MOLL APPD 12-19-88 R. DURBIN APPD 12-19-88 W. PARKER		AMP INCORPORATED Harrisburg, Pa. 17105	
MATERIAL HOUSING: THERMOPLASTIC COLOR-BLACK CONTACT: COPPER ALLOY		PRODUCT SPEC 108-1093		NAME HEADER ASSEMBLY, VERTICAL, SINGLE ROW, W/SIDE & END LATCHES, AMPMODU® System 50	
FINISH 114-25031		APPLICATION SPEC 114-25031		SIZE D 00779	
WEIGHT		SCALE 4:1		DRAWING NO 104071	
				SHEET 1 OF 1	